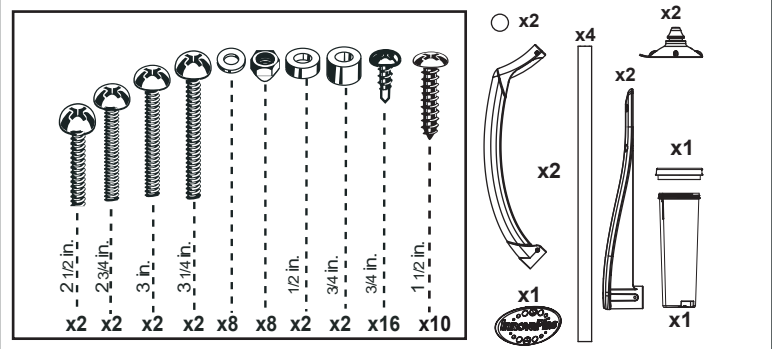
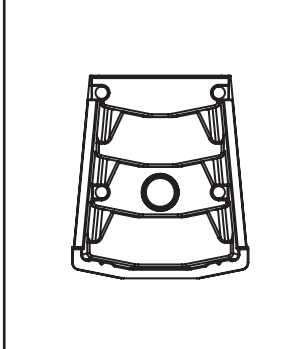


# ROYAL ENTRANCE II (PG-2020-S-B)

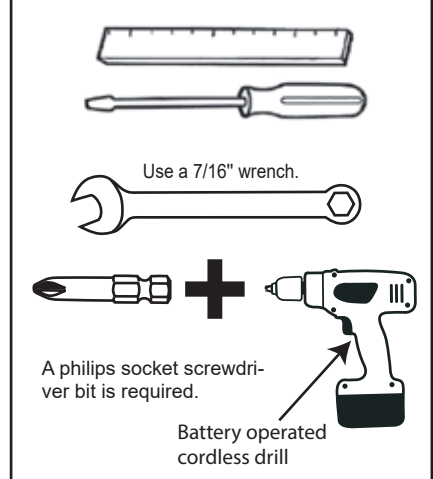
## Contents of Accessory box



## Royal II Step Shell



## Tools required (not included)



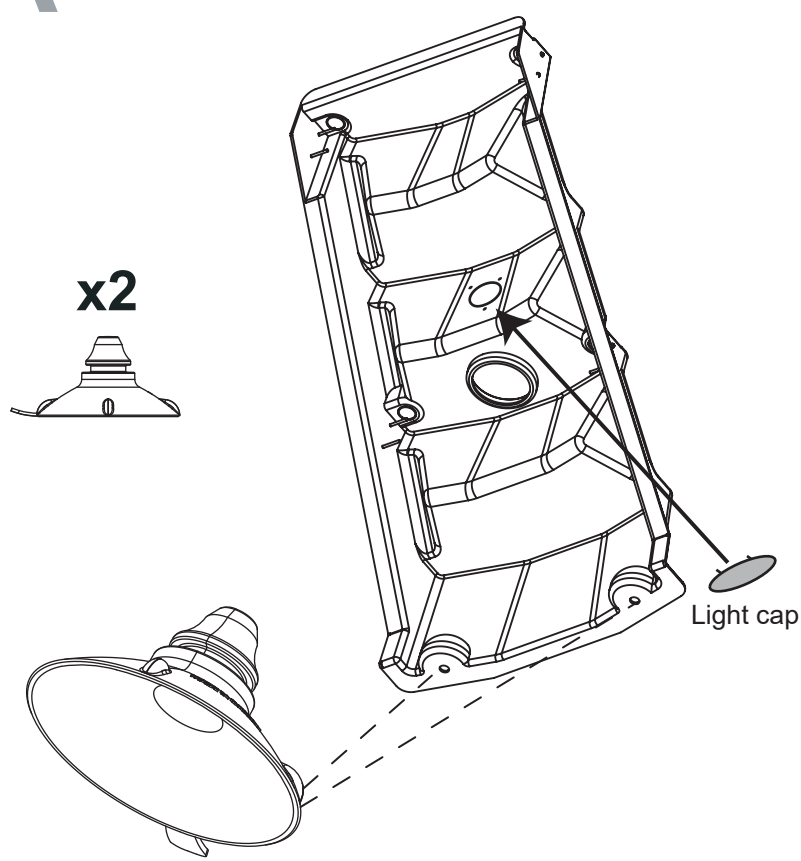
## ⚠ WARNING

- ▶ Do not jump nor dive from the step; you can be permanently injured.
- ▶ To prevent electrocution use only BATTERY operated tools to assemble the step.
- ▶ To prevent drowning or injuries, do not use the step outside the pool or to access a pool, and fasten the step firmly to the pool deck.
- ▶ For 48,52,54" above-ground pool only.
- ▶ The step must be installed per manufacturer's instructions.

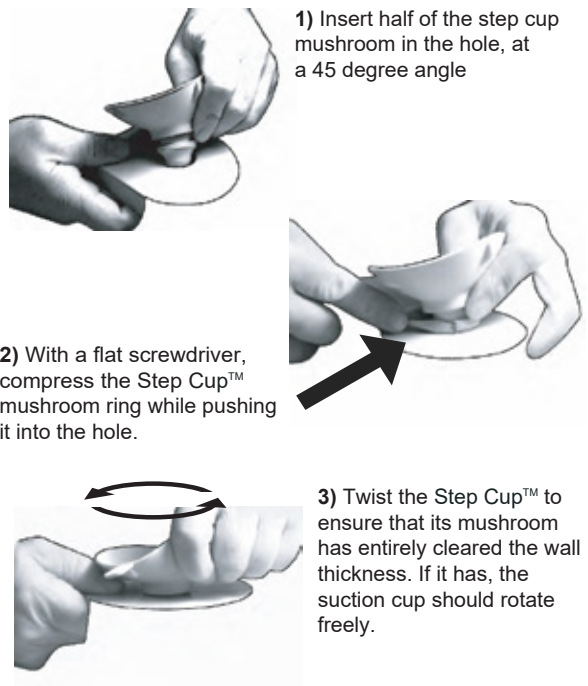
## ⚠ Caution

- ▶ Use of corrosive cleaning solutions can damage the step components.
- ▶ Remove the step from water when temperatures drop below freezing.
- ▶ To prevent damaging the step, never lift the step by its handrails.
- ▶ The manufacturer is not responsible for damages or injuries caused by improper installation or use of the product.
- ▶ Failing to install the Step Cup™ will greatly reduce the steadiness of the step and will void the manufacturer warranty.
- ▶ To prevent pool liner puncture, install the Step Cup™ provided.

A



## Insertion of Step Cup™ in the step.



## Installation of the light cap.

- 1) Align the cap 2 guiding pins into the two top holes in the step and snap in place.

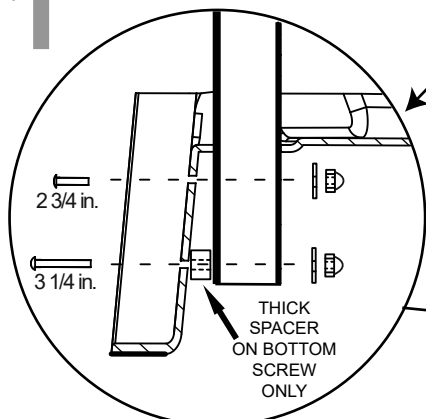
## MANUFACTURER WARRANTY

**1 year on pool step.**  
**1 year on hardware.**

# ROYAL ENTRANCE II (PG-2020-S-B)

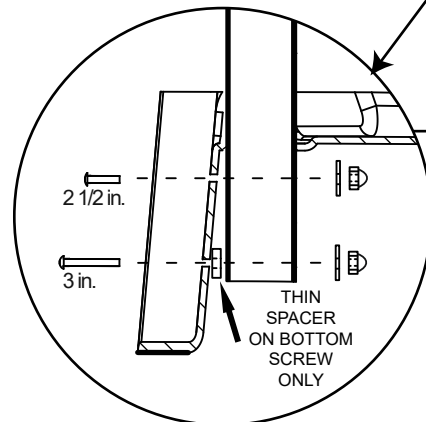
## B1

### TOP POST



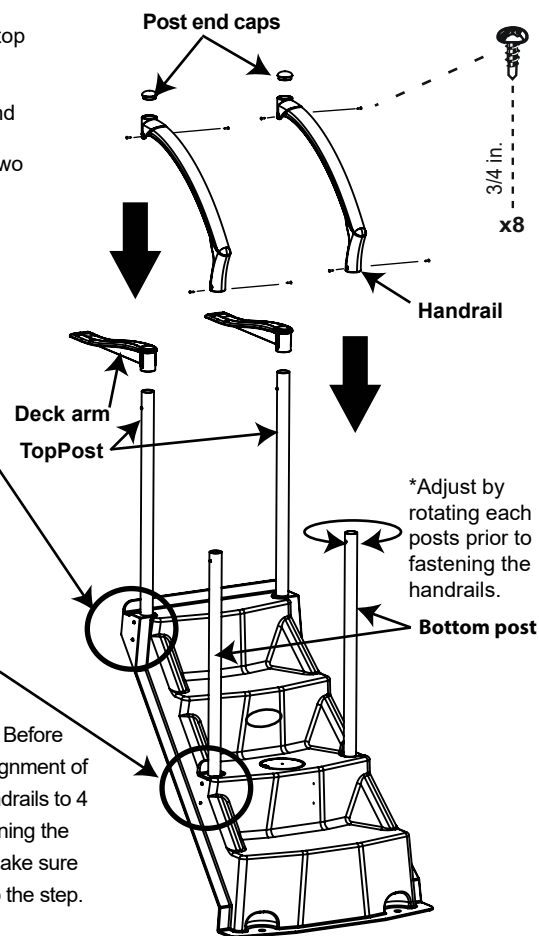
1) Begin the assembly with the two top posts. Using a ruler, pick the bolts you need: two 2 3/4" and two 3 1/4" bolts. Use the two tallest spacers and the washers and nuts as per the schematic Top post. Assemble the two top posts, do not tighten yet.

### BOTTOM POST



2) Assemble the bottom posts. Using a ruler, pick the bolts you need: two 2 1/2" and two 3" bolts. Use the two thin spacers, washers and nuts as per the schematic Bottom post, do not tighten yet.

3) Insert the post end caps into the handrails. Before fastening the handrails, adjust the vertical alignment of the posts by a slight rotation and affix the handrails to 4 posts with the screws provided. Before tightening the post to the step as described in step 1 & 2, make sure that the post are vertical and perpendicular to the step.



## B2-B3 Optional accessories

For the optional pool light installation, go to next page before you proceed with step C.

Also available; Optional safety fence to prevent swimming behind the step, for more details: <http://lumi-o.com/index.php?content+usparts&lang=en-CA>

## C

1) Fill with sand

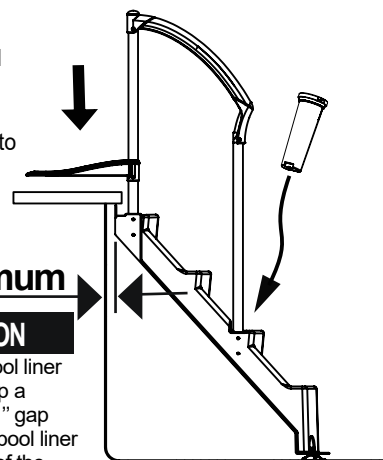
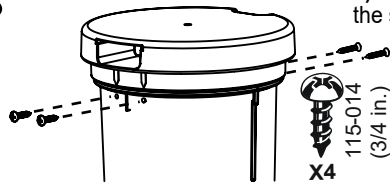
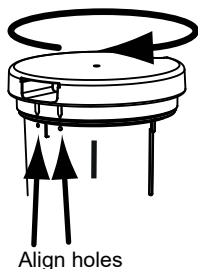
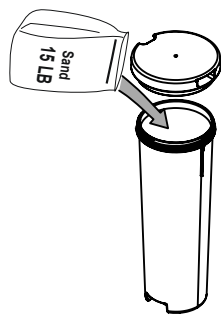
2) Screw the lid in place and align the cover ribs with the holes in the ballast base.

3) Fasten the 4 screws through the ballast base

4) Insert the entire step into the pool. Be careful not to damage the pool liner.

5) Slide the deck arms to the height of the deck.

6) Drop the ballast in the step hole.



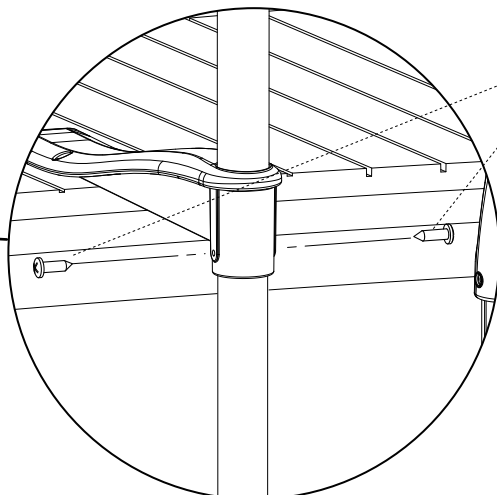
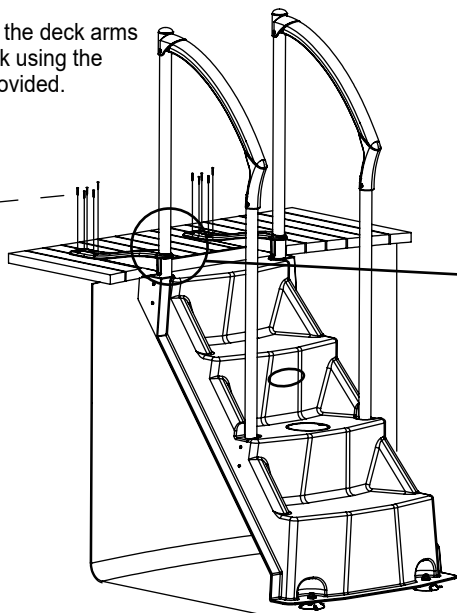
**1" Minimum CAUTION**

To prevent pool liner puncture keep a minimum of 1" gap between the pool liner and the rear of the step.

## D

1) Secure the deck arms to the deck using the screws provided.

1 1/2 in. x10



3/4 in. x4  
2) Secure the deck arms to the posts with the screws provided.