

Improved

The Wedding Cake II

by Lumi-O The leader in-pool steps!

Entirely redesigned, The Wedding Cake II's current features will be sure to meet your expectations. Uniquely styled, it adapts perfectly to all piers and pools. The slip-resistant wide surfaces and handrail ensure the safety of this high-quality built-up piece. The Wedding Cake II will give your pool an original and distinguished look that will be admired by all.



- **Ballast system unique to Lumi-O***



*Patent Pending

Improved

The Wedding Cake II #5005



Step weight: 36 kilos (80 lbs)
Capacity: 180 kilos (400 lbs)

Features

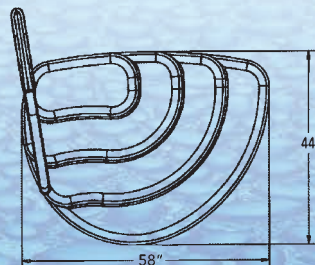
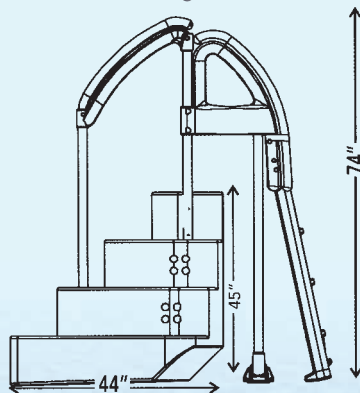
- Outstanding resistance to UV rays
- Openings at the sides and back for water circulation
- Safe rounded slip-resistant corners and surfaces
- Slip-resistant handrails supported by a strong and safe PVC alloy
- Meets current and proposed ANSI/NSPI standards
- High stability ensured by its deck bracket
- Stackable eight steps per pallet, with individual wrapping
- Ballasting container eases installation ①

**Please note that a flat pool bottom is required for this model.
**Protective foam pads provided for ballast.*

Wedding Cake Combo II

Optional outside ladder #4-6500C

- Great stability ensured by supporting straps
- Adjustable system for 48" to 54" pools
- Pivoting ladder equipped with a safety cable
- Strong and aesthetic
- Also available, The Ladder Closure #5-6800C



Optional!



Outside ladder with closure system



Les Industries Lumi-O Inc.

370 Lajeunesse, St-Jérôme (Quebec) J7Y 4E5
Tel. : 450.565.5544 / 1.866.99LUMI-O
Fax : 450.565.5958 (58646)
info@lumi-o.com

ONE-YEAR LIMITED WARRANTY

www.lumi-o.com

Lumi-O reserves the right to change the specifications, designs or models of its products at any time without any obligation on its part.