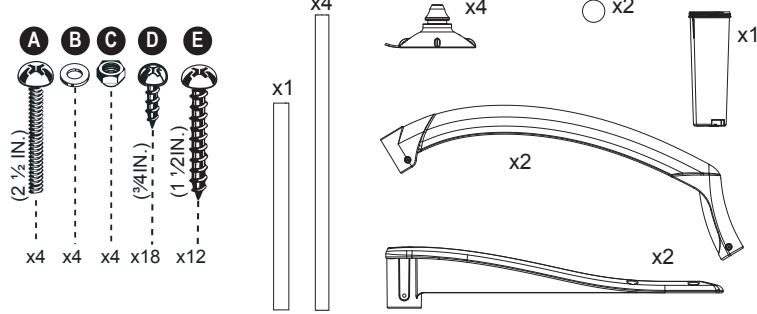


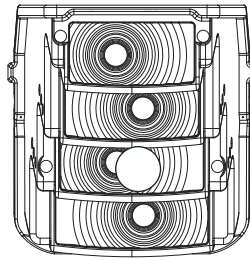
WALKWAY WITH DECK

Contents of the Accessory box SKU # 4001-HRK

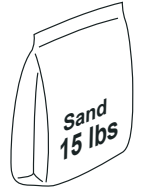
SCREW BAG 140-0061



Step Shell



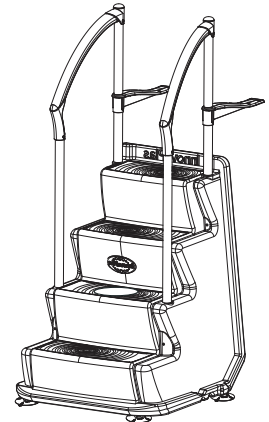
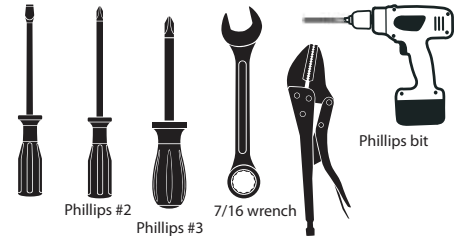
Sand (not included)



⚠ WARNING

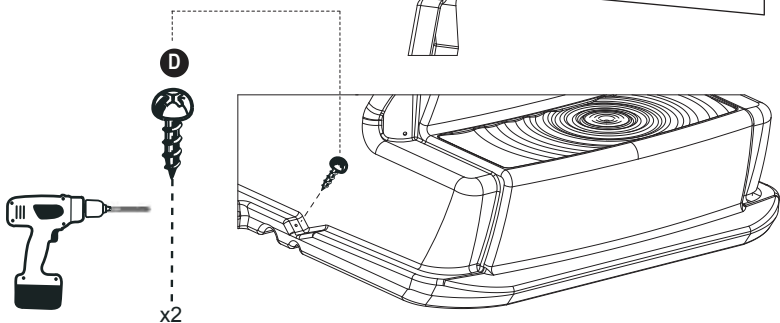
- ▶ Install the step on a flat surface.
- ▶ Do not jump or dive from the step.
- ▶ Remove the step from water when temperatures drop below freezing.
- ▶ In winter, the step should be stored in an area protected from snow.
- ▶ Never lift the step by its handrails.
- ▶ Use BATTERY operated tools to avoid electric shock near water.
- ▶ Ensure no corrosive materials are added to the step or hardware kit.
- ▶ The step must be installed per manufacturer's instructions.
- ▶ File off all stripped or sharp edges before assembly to avoid injuries and liner damage.
- ▶ The manufacturer is not responsible for damages or injuries caused by improper installation or use of product.
- ▶ To ease the installation of handrails and bolts, use a screwdriver to line up the holes.
- ▶ **Maximum weight: 400 lbs / 180 kg.**

Required tools (not included)



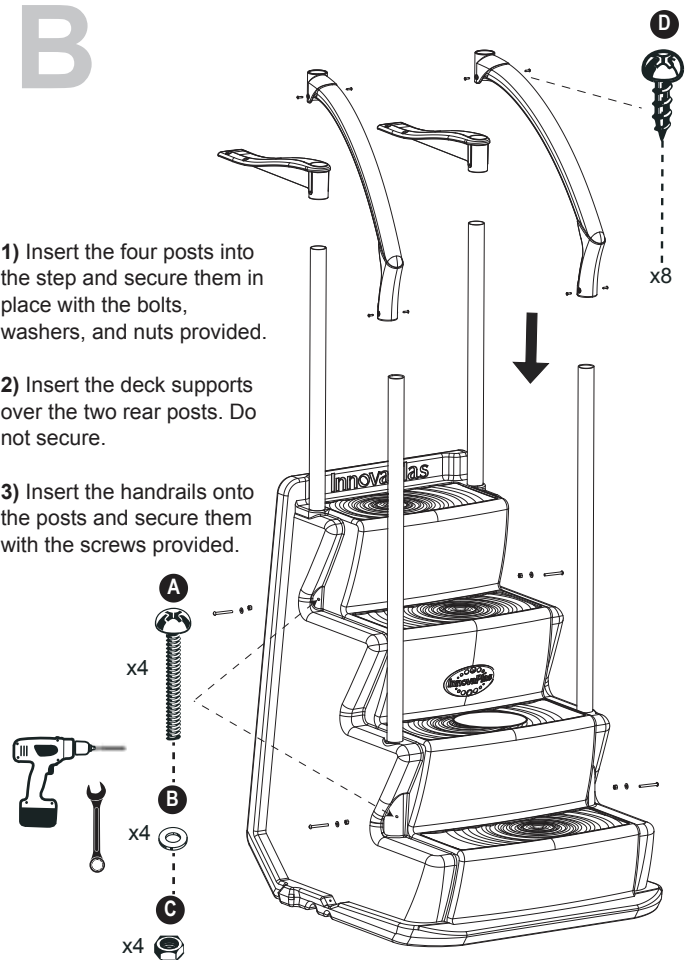
A

- 1) Flip the Walkway so that the steps are directly facing the ground.
- 2) Place the support tube, one side at a time, in the pockets located in the bottom lip.
- 3) Flip the step back to its original usage position.
- 4) Secure the support tube to the step with the screws provided.



B

- 1) Insert the four posts into the step and secure them in place with the bolts, washers, and nuts provided.
- 2) Insert the deck supports over the two rear posts. Do not secure.
- 3) Insert the handrails onto the posts and secure them with the screws provided.

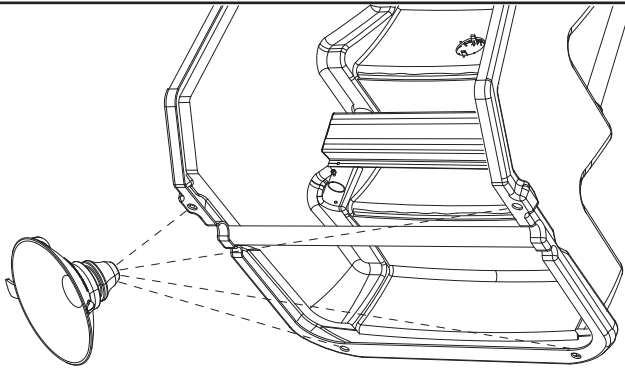


MANUFACTURER WARRANTY

**1 year on pool step.
1 year on hardware.**

WALKWAY WITH DECK

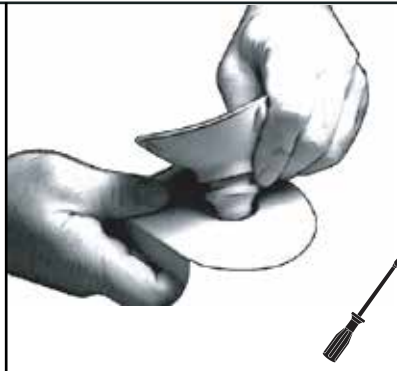
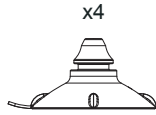
C



1) Insert the four Step Cups into the holes under the step.*



* View step cups installation tips on YouTube:
<https://www.youtube.com/watch?v=W5RH1VNxpu0>



C1) Insert half of the Step Cup mushroom ring in the hole, at a 45 degree angle.

C2) With a flat screwdriver, compress the Step Cup mushroom ring while pushing it into the hole.



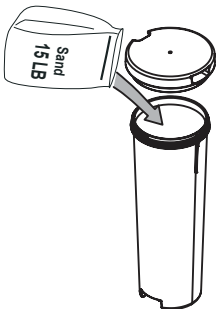
C3) Twist the Step Cup to ensure that the mushroom ring has entirely cleared the wall thickness. If it has, the suction cup should rotate freely.

CAUTION

Failing to install the Step Cup™ system will greatly reduce the steadiness of the step and will void the manufacturer warranty.

D

1) Fill the ballast with sand. The approximate weight should be 15 lbs.

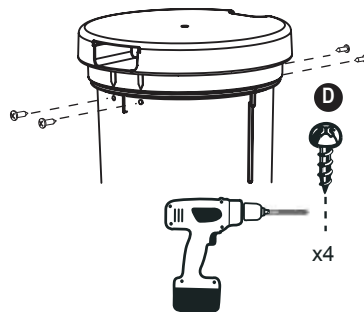


2) Screw the lid in place and align the cover ribs with the holes in the ballast base.



Align holes

3) Fasten the cover to the ballast base with the four screws provided.

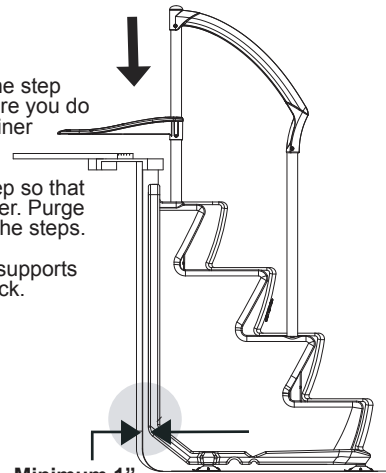


x4

4) Slowly submerge the step into the pool. Make sure you do not damage the pool liner in the process.

5) Angle the whole step so that it is entirely under water. Purge all the air from under the steps.

6) Slide the two deck supports to the height of the deck.



Minimum 1"

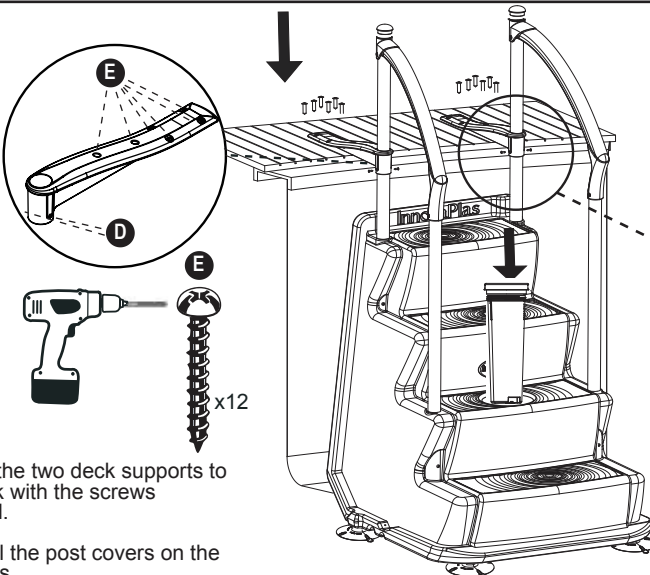
CAUTION

To prevent pool liner puncture, keep a minimum 1" gap between the pool liner and the rear underside of the step.

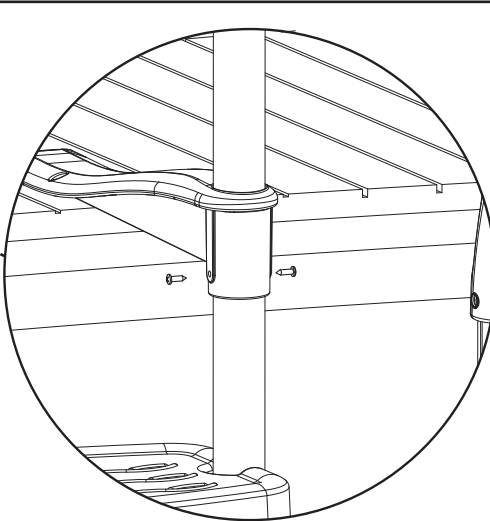
E

1) Affix the two deck supports to the deck with the screws supplied.

2) Install the post covers on the handrails.



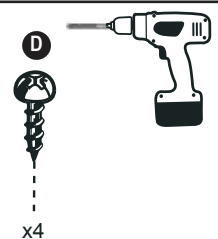
x12



3) Pull the deck supports (already fixed to the deck) upwards to create a spring effect on the step.

4) Fasten the supports to the two rear posts while pushing the entire step downwards.

5) Drop the ballast in the step hole.



x4

MANUFACTURER WARRANTY

1 year on pool step.
 1 year on hardware.



2257 route 139
 Drummondville, Québec
 J2A 2G2

WWW.INNOVAPLAS.COM

REV. 02/07/2023

PN:

PG:2