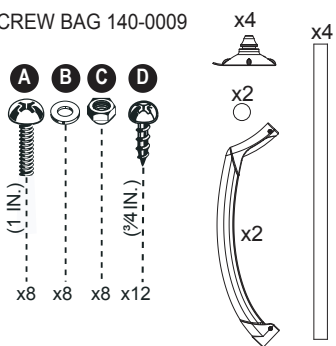


FIESTA 1003 WITH CLASSIC LADDER 6003

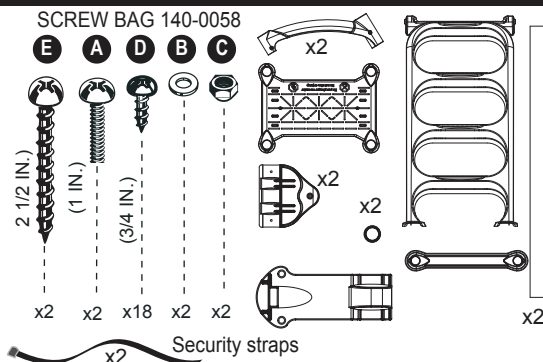
Contents of Accessory box 1003-HRK

SCREW BAG 140-0009



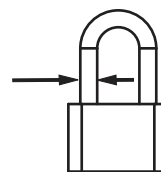
Contents of the ladder box SKU # 6003

SCREW BAG 140-0058

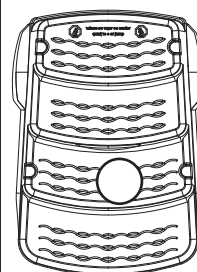


Fiesta Shell

A weather-resistant padlock is recommended (not included).



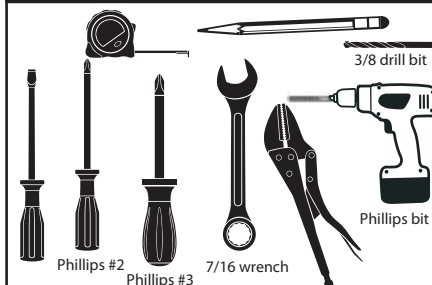
MAXIMUM functional width is 1/4".



⚠ WARNING

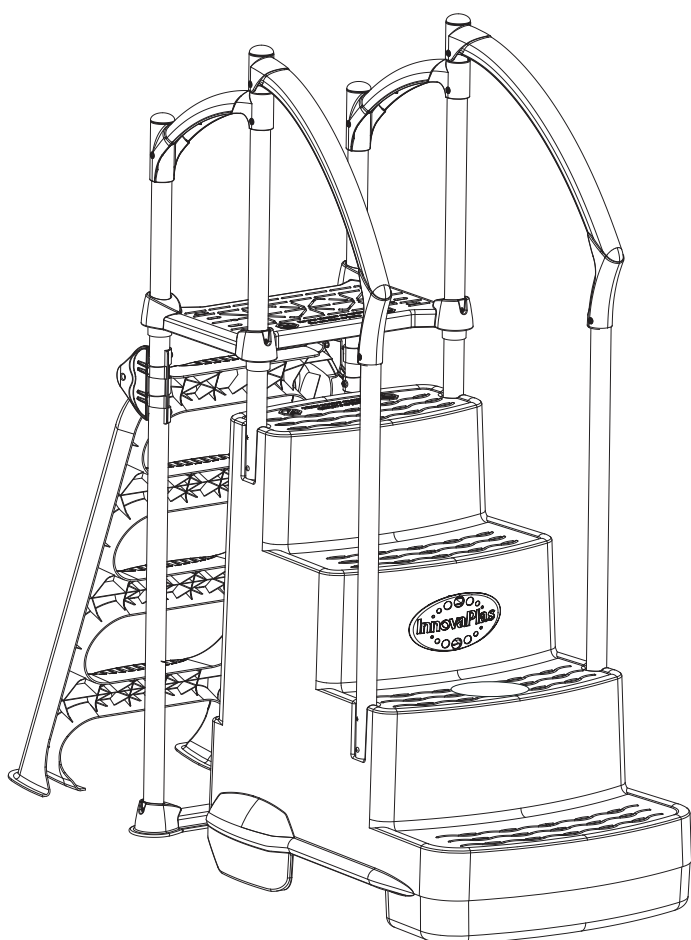
- ▶ Install the step on a flat surface.
- ▶ Do not jump or dive from the step or ladder.
- ▶ Remove the step from water when temperatures drop below freezing.
- ▶ In winter, the step should be stored in an area protected from snow.
- ▶ Never lift the step by its handrails.
- ▶ Use BATTERY operated tools to avoid electric shock near water.
- ▶ Ensure no corrosive materials are added to the step or hardware kit.
- ▶ The step must be installed per manufacturer's instructions.
- ▶ File off all stripped or sharp edges before assembly to avoid injuries and liner damage.
- ▶ The manufacturer is not responsible for damages or injuries caused by improper installation or use of product.
- ▶ To ease the installation of handrails and bolts, use a screwdriver to line up the holes.
- ▶ **Maximum weight: 400 lbs / 180 kg.**

Required tools (not included)



Sand

(not included)



A

1) Insert the four posts into the step and secure them in place with the bolts, washers, and nuts provided.

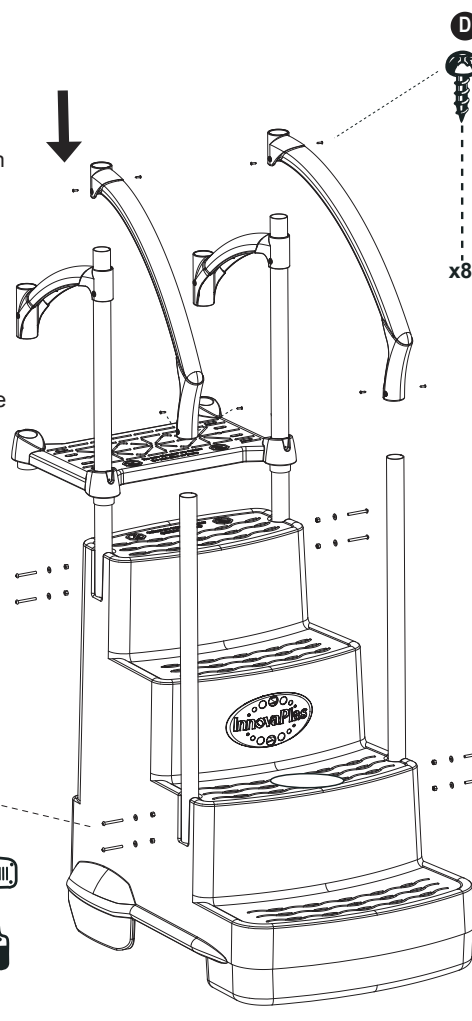
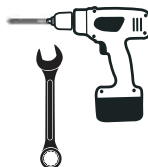
2) Insert the platform over the two rear posts. Do not secure.

3) Insert the small and large handrails as illustrated. Secure the large handrails with the screws provided. Leave the small handrails floating.

Useful tip!

To ease the installation of handrails and bolts, use a Phillips screwdriver to line up the holes.

A B C



MANUFACTURER WARRANTY

1 year on step and ladder.
1 year on hardware.



2257 route 139
Drummondville, Québec
J2A 2G2

WWW.INNOVAPLAS.COM

REV. 02/07/2023

PN:

PG:1

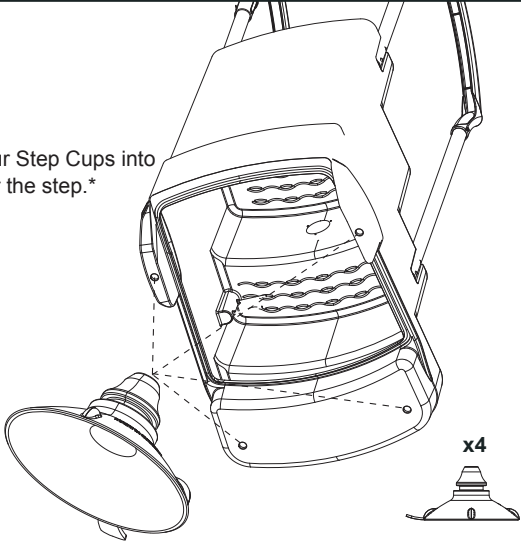
FIESTA 1003 WITH CLASSIC LADDER 6003

B

1) Insert the four Step Cups into the holes under the step.*



* View step cups installation tips on YouTube:
<https://www.youtube.com/watch?v=W5RH1VNxpu0>



B1) Insert half of the Step Cup mushroom ring in the hole, at a 45 degree angle.

B2) With a flat screwdriver, compress the Step Cup mushroom ring while pushing it into the hole.

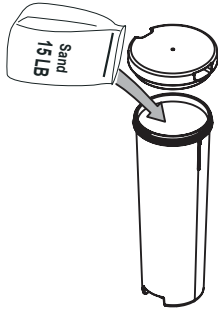
B3) Twist the Step Cup to ensure that the mushroom ring has entirely cleared the wall thickness. If it has, the suction cup should rotate freely

CAUTION

Failing to install the Step Cup™ system will greatly reduce the steadiness of the step and will void the manufacturer warranty.

C

1) Fill the ballast with sand. The approximate weight should be 15 lbs.

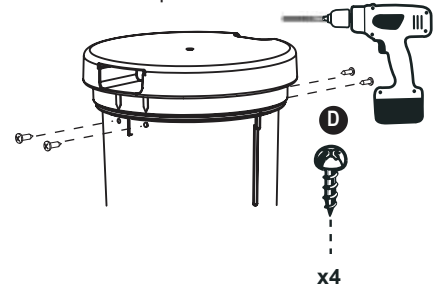


2) Screw the lid in place and align the cover ribs with the holes in the ballast base.



Align holes

3) Fasten the cover to the ballast base with the four screws provided.

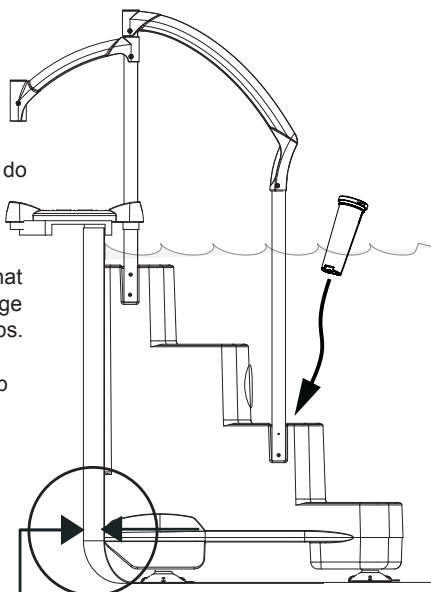


D

1) Slowly submerge the step into the pool. Make sure you do not damage the pool liner in the process.

2) Angle the whole step so that it is entirely under water. Purge all the air from under the steps.

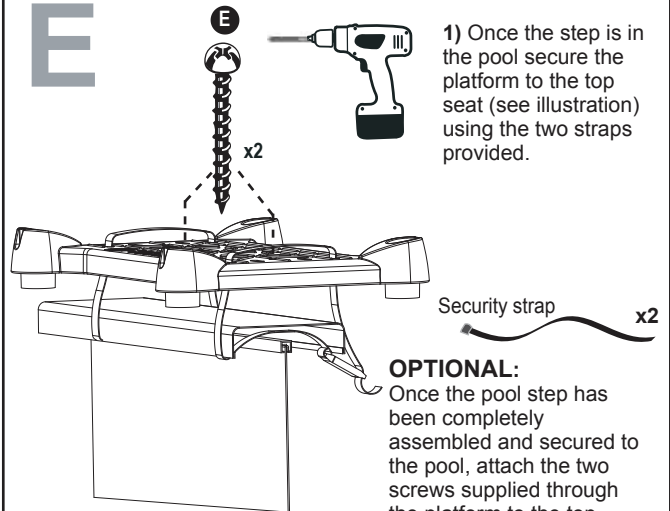
3) Drop the ballast in the step hole.



*MINIMUM OF 1"

E

1) Once the step is in the pool secure the platform to the top seat (see illustration) using the two straps provided.



OPTIONAL: Once the pool step has been completely assembled and secured to the pool, attach the two screws supplied through the platform to the top seat of your pool to provided a more rigid assembly.

CAUTION

To prevent pool liner puncture, keep a minimum 1" gap between the pool liner and the rear underside of the step.

MANUFACTURER WARRANTY

1 year on step and ladder.
 1 year on hardware.



2257 route 139
 Drummondville, Québec
 J2A 2G2

WWW.INNOVAPLAS.COM

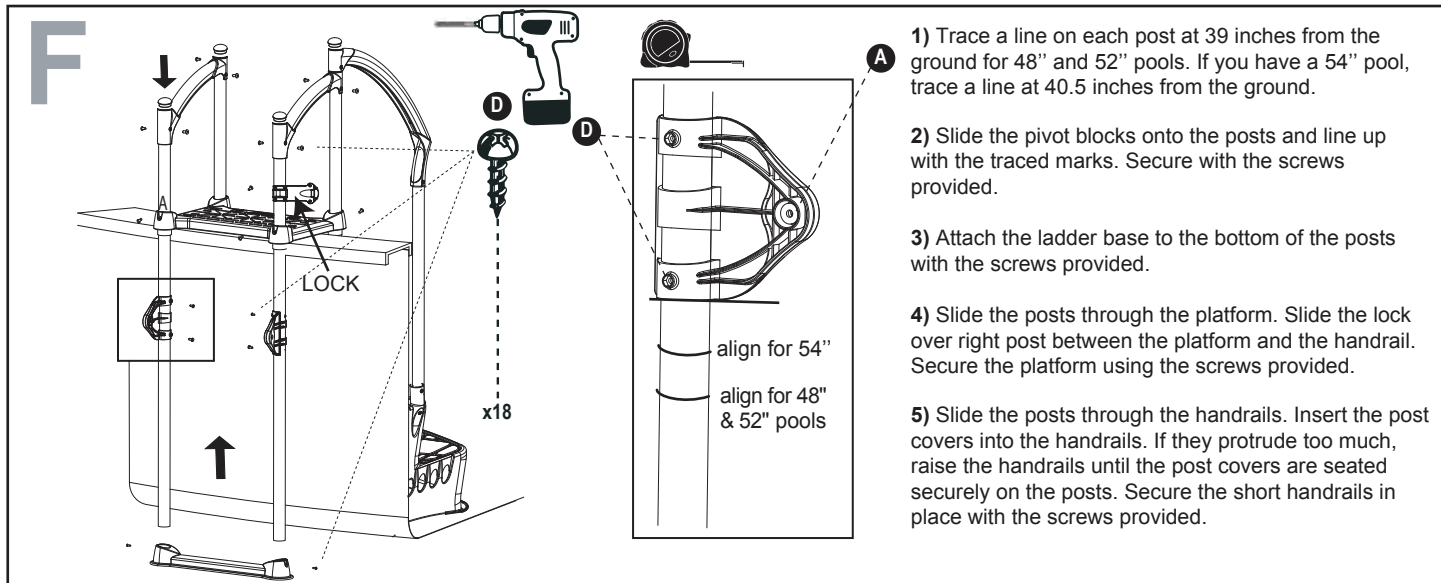
REV. 02/07/2023

PN:

PG:2

FIESTA 1003 WITH CLASSIC LADDER 6003

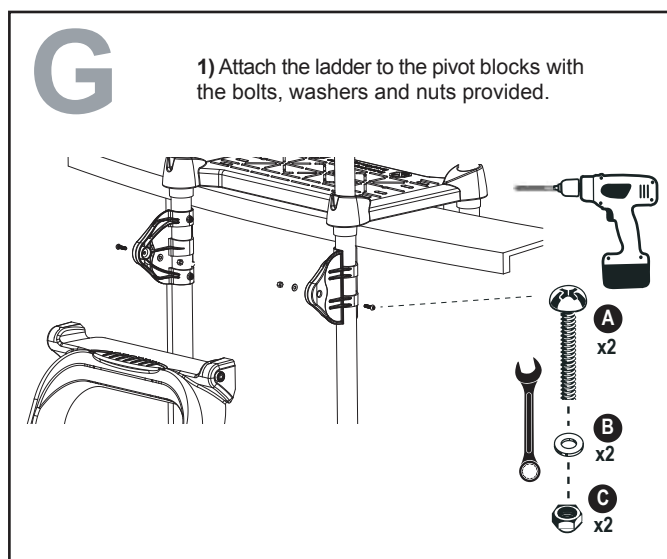
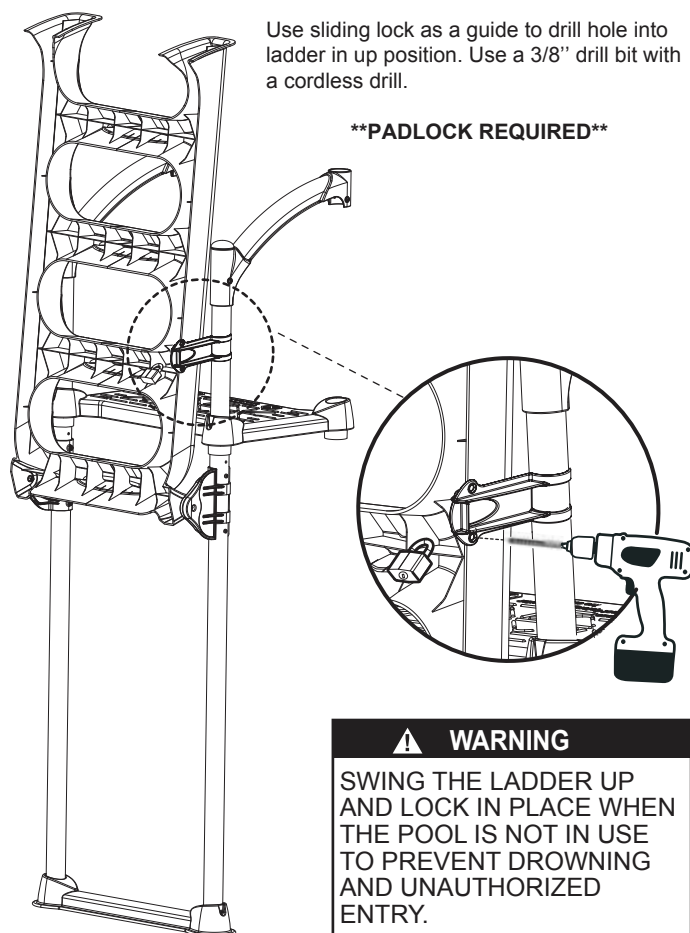
F



- 1) Trace a line on each post at 39 inches from the ground for 48" and 52" pools. If you have a 54" pool, trace a line at 40.5 inches from the ground.
- 2) Slide the pivot blocks onto the posts and line up with the traced marks. Secure with the screws provided.
- 3) Attach the ladder base to the bottom of the posts with the screws provided.
- 4) Slide the posts through the platform. Slide the lock over right post between the platform and the handrail. Secure the platform using the screws provided.
- 5) Slide the posts through the handrails. Insert the post covers into the handrails. If they protrude too much, raise the handrails until the post covers are seated securely on the posts. Secure the short handrails in place with the screws provided.

G

1) Attach the ladder to the pivot blocks with the bolts, washers and nuts provided.

Use sliding lock as a guide to drill hole into ladder in up position. Use a 3/8" drill bit with a cordless drill.

****PADLOCK REQUIRED****

⚠ WARNING
 SWING THE LADDER UP AND LOCK IN PLACE WHEN THE POOL IS NOT IN USE TO PREVENT DROWNING AND UNAUTHORIZED ENTRY.