

# Oasis | 5445

Inground pool step

## After market inground steps

With its shell design, the Oasis is specially designed for stepless inground pools. Its front-loading ballast system makes removal and winterizing easy. The Oasis is available with two PVC handrails or two stainless steel handrails. Let the shell design of the Oasis step remind you of Southern surroundings!

Its durable handrails offer a great look and more importantly ensure safety. With the Oasis, your summers will never be the same!



*Integrated ballast system*

**Lumi** 

For more information, visit  
[www.innovaplas.com](http://www.innovaplas.com)



400 LBS / 181 KG  
MAXIMUM WEIGHT



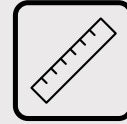
ROTMOLDED



26.30 KG / 58 LBS



IN



DIMENSIONS  
33 X 53 X 45 PD  
83.8 X 134.6 X 114.3 CM



IN A BAG



WHITE



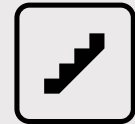
INGROUND POOL



EASY ASSEMBLY



EASY WINTERIZING



ONE PIECE

701-0030 / 5445-EN REV01/20  
AVAILABLE: QC | CA | US | INT

# Oasis | 5445

Inground pool step

## FEATURES

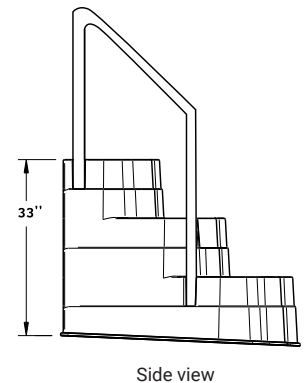
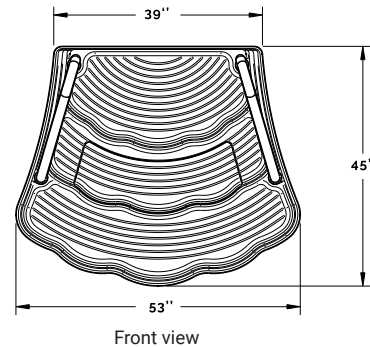
- Outstanding resistance to UV rays
- Openings at the sides and back for water circulation
- Meets current and proposed ISPSC standards
- Safe rounded slip-resistant corners and surfaces
- High stability ensured by its deck brackets

### 1 Ballasting container makes installation easier.

\* Please note that a flat pool bottom is required for this model.



On the picture: Stainless steel handrails model.



## CHOICE OF HANDRAILS

- PVC handrails:  
includes 2 deck supports  
(1 possible position)
- Stainless steel handrails:  
includes 2 deck supports and  
2 additional deck flanges  
(2 positions possible)



Lumi

For more information, visit

[www.innovaplas.com](http://www.innovaplas.com)

701-0030 / 5445-EN REV01/20  
AVAILABLE: QC | CA | US | INT