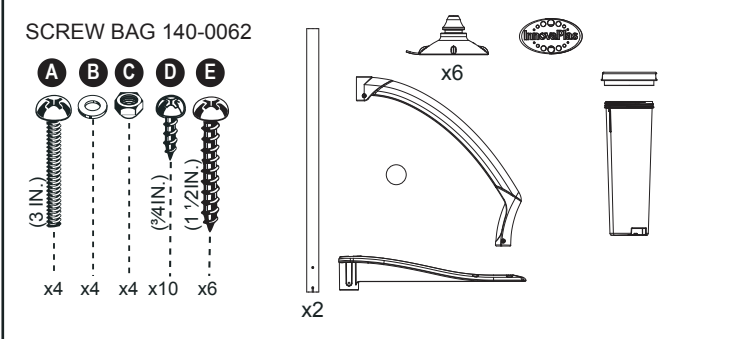
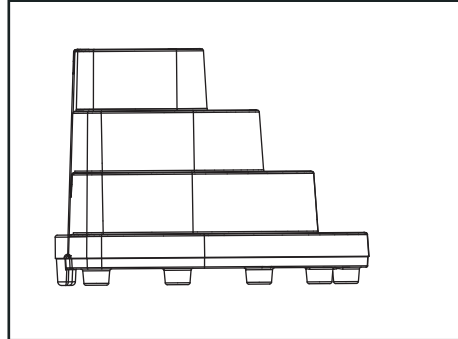


MAJESTIC 8000 WITH DECK

Contents of accessory box



Majestic step Shell



Sand

(not included)

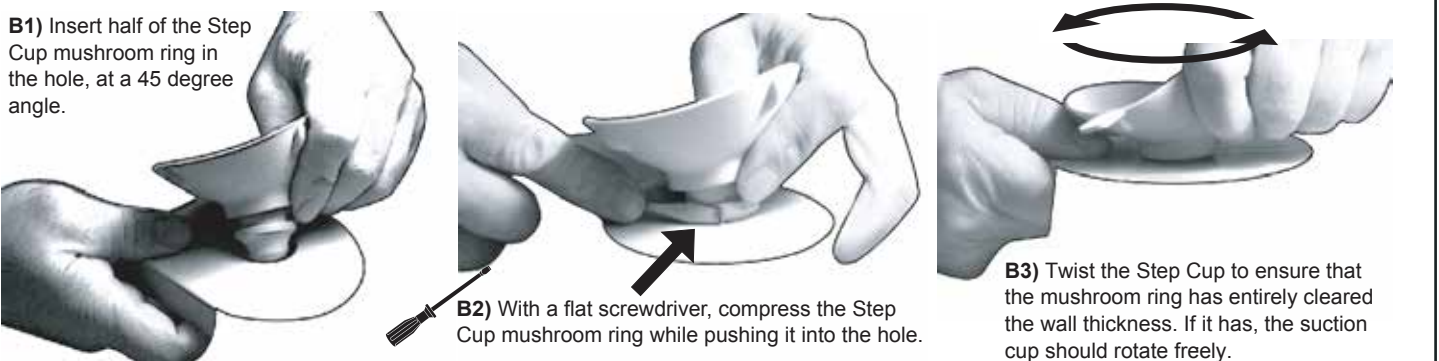
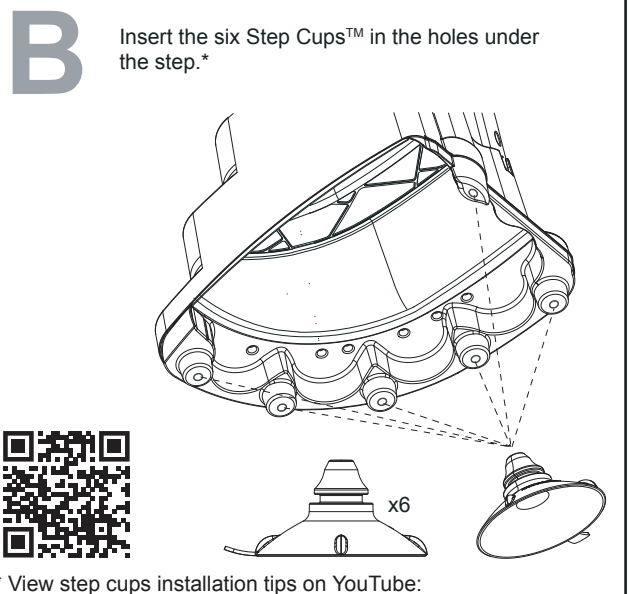
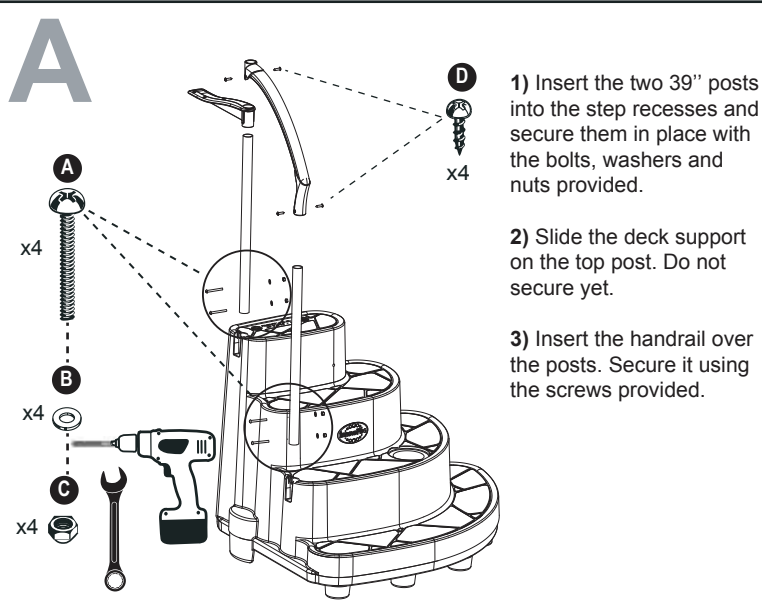
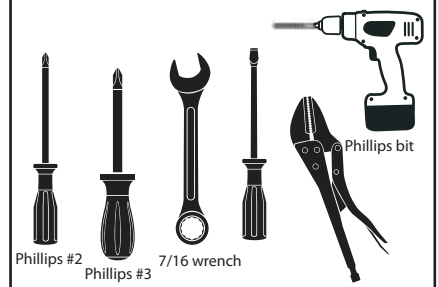


⚠ WARNING

- ▶ Install the step on a flat surface.
- ▶ Do not jump or dive from the step.
- ▶ Remove the step from water when temperatures drop below freezing.
- ▶ In winter, the step should be stored in an area protected from snow.
- ▶ Never lift the step by its handrails.
- ▶ Use BATTERY operated tools to avoid electric shock near water.
- ▶ Ensure no corrosive materials are added to the step or hardware kit.
- ▶ The step must be installed per manufacturer's instructions.
- ▶ File off all stripped or sharp edges before assembly to avoid injuries and liner damage.
- ▶ The manufacturer is not responsible for damages or injuries caused by improper installation or use of product.
- ▶ To ease the installation of handrails and bolts, use a screwdriver to line up the holes.
- ▶ **Maximum weight: 400 lbs / 180 kg.**

Required tools

(not included)



CAUTION

Failing to install the Step Cup™ system will greatly reduce the steadiness of the step and will void the manufacturer warranty.

MANUFACTURER WARRANTY

**1 year on pool step.
 1 year on hardware.**



2257 route 139
 Drummondville, Québec
 J2A 2G2

WWW.INNOVAPLAS.COM

REV. 02/07/2023

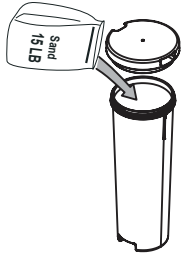
PN:

PG:1

MAJESTIC 8000 WITH DECK

C

1) Fill the ballast with sand. The approximate weight should be 15 lbs.

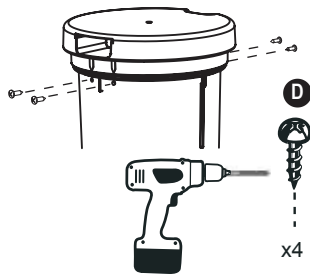


2) Screw the lid in place and align the cover ribs with the holes in the ballast base.



Align holes

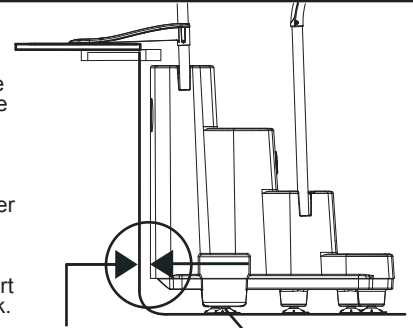
3) Fasten the cover to the ballast base with the four screws provided.



4) Slowly submerge the step into the pool. Make sure you do not damage the pool liner in the process.

5) Angle the whole step so that it is entirely under water. Purge all the air from under the steps.

6) Slide the deck support to the height of the deck.



MINIMUM 1" All Step Cups™ must be installed.

CAUTION

To prevent pool liner puncture, keep a minimum 1" gap between the pool liner and the rear underside of the step.

D

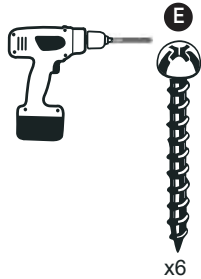
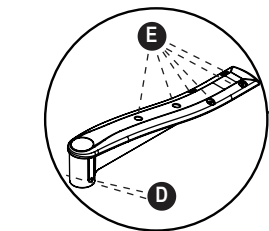
1) Affix the deck support to the deck with the screws supplied.

2) Install the post cover on the handrail.

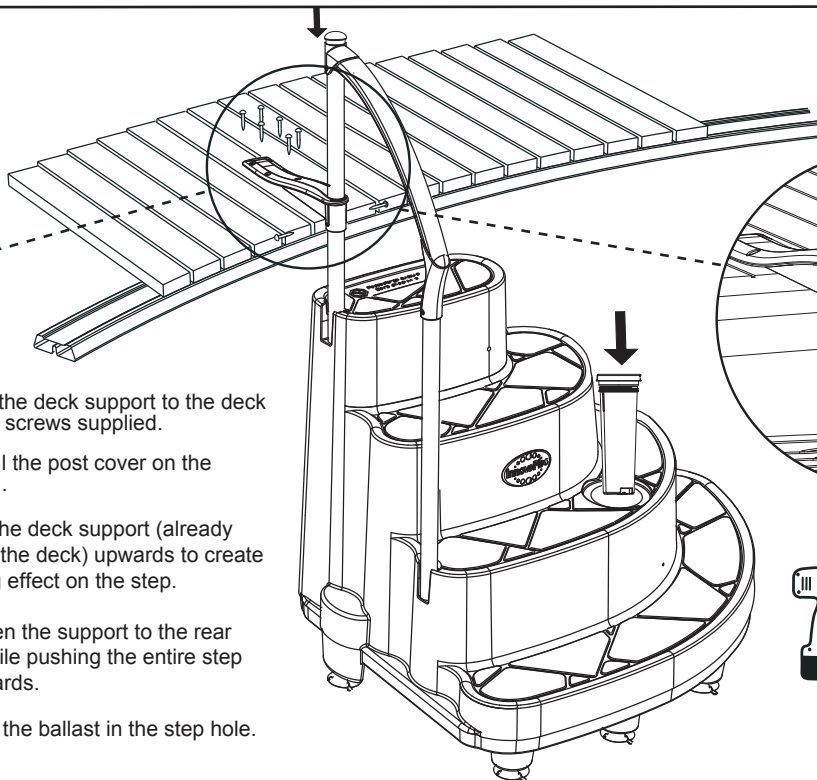
3) Pull the deck support (already fixed to the deck) upwards to create a spring effect on the step.

4) Fasten the support to the rear post while pushing the entire step downwards.

5) Drop the ballast in the step hole.



x6



x2

POOL DECK ABOVE POOL TOP SEAT

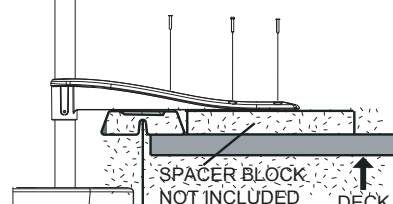
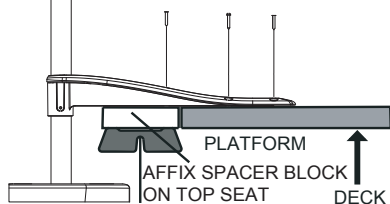
POOL TOP SEAT FLUSH WITH DECK POOL

HOW TO MOUNT YOUR DECK SUPPORT FOR YOUR POOL

?

POOL DECK OFFSET FROM TOP SEAT

POOL DECK OFFSET FROM TOP SEAT



2257 route 139
Drummondville, Québec
J2A 2G2

WWW.INNOVAPLAS.COM

MANUFACTURER WARRANTY

1 year on pool step.
1 year on hardware.

REV. 02/07/2023

PN:

PG:2