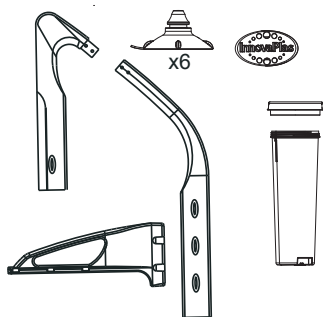
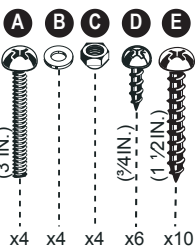


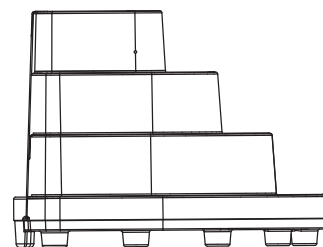
# MAJESTIC 8005 WITH DECK

## Contents of accessory box

SCREW KIT 140-0027



## Majestic step Shell



## Sand

(not included)

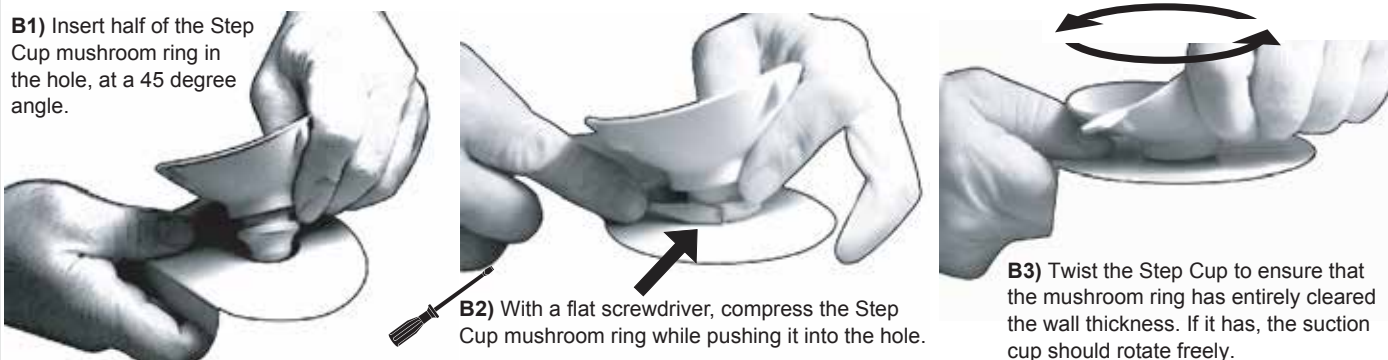
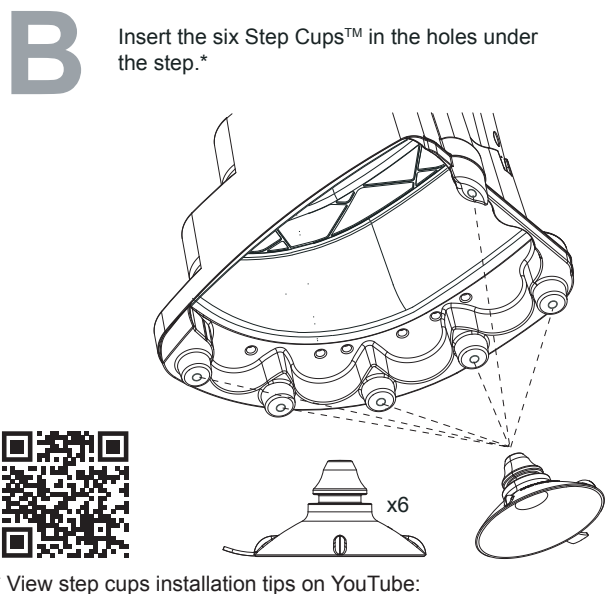
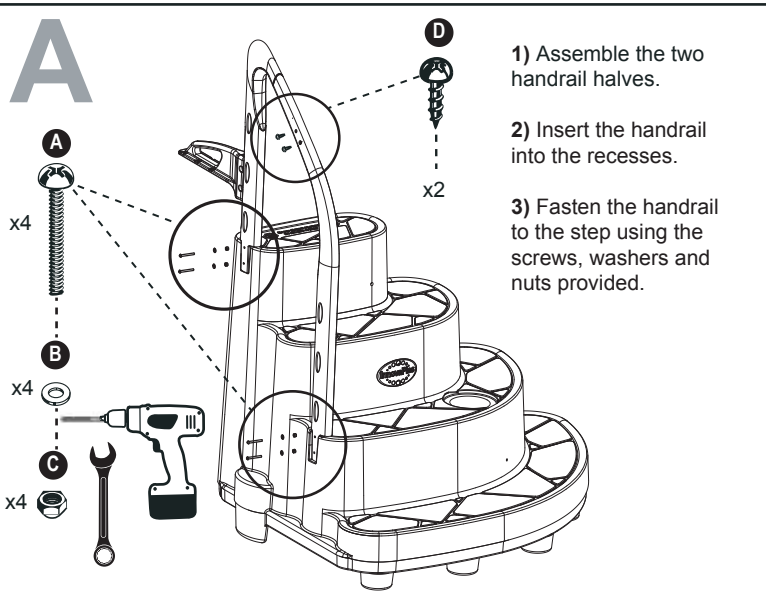
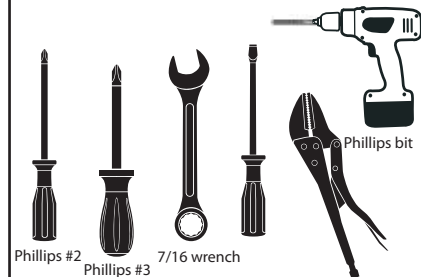


## ⚠ WARNING

- ▶ Install the step on a flat surface.
- ▶ Do not jump or dive from the step.
- ▶ Remove the step from water when temperatures drop below freezing.
- ▶ In winter, the step should be stored in an area protected from snow.
- ▶ Never lift the step by its handrails.
- ▶ Use BATTERY operated tools to avoid electric shock near water.
- ▶ Ensure no corrosive materials are added to the step or hardware kit.
- ▶ The step must be installed per manufacturer's instructions.
- ▶ File off all stripped or sharp edges before assembly to avoid injuries and liner damage.
- ▶ The manufacturer is not responsible for damages or injuries caused by improper installation or use of product.
- ▶ To ease the installation of handrails and bolts, use a screwdriver to line up the holes.
- ▶ **Maximum weight: 400 lbs / 180 kg.**

## Required tools

(not included)



## CAUTION

Failing to install the Step Cup™ system will greatly reduce the steadiness of the step and will void the manufacturer warranty.

## MANUFACTURER WARRANTY

**1 year on pool step.  
1 year on hardware.**



2257 route 139  
Drummondville, Québec  
J2A 2G2

WWW.INNOVAPLAS.COM

REV. 02/07/2023

PN:

PG:1